

HARRISBURG, PA

ORDER REFERENCE

PROJECT: XX

GENERAL CONTRACTOR: -

EQUIPMENT INSTALLED BY: XX

SPECIFICATIONS

MODEL: CABLE "DRUM"- 200

LANDINGS: 2

CODE(S): 1

CAPACITY: 750#

SPEED: AT 30 F.P.M.±4

SUSPENSION MEANS: 2 WIRE ROPES 11,700 LBS. TRACTION
STL. STEEL 3/8" x 8 x 19 IWRC

CAR CONSTRUCTION: 3/4" HARDWOOD VENEER

NOTE: ALL MANUFACTURER SUPPLIED CAR AND EQUIPMENT OPTIONS ARE NOTED ON THE CONFIRMING ORDER SHEET.

DISCLAIMER: ONCE DRAWINGS HAVE BEEN APPROVED, SIGNED AND WITHIN 5 DAYS OF PRODUCTION, THE CUSTOMER WILL BEAR ALL RESPONSIBILITY AND LIABILITY OF FINISHED UNIT.

PLEASE REFER ANY QUESTION TO YOUR SALES REPRESENTATIVE

APPROVED

UNAPPROVED

SIGNATURE

DATE

DWG VIEW

COVER SHEET

PART NUMBER

80205323

REV. DATE

-
-
-

DRAWING TITLE

WD-750# ADJACENT

DRAWING NO.

-



PAGE:
1/4

DRAWN BY:
D.LUCASSEN

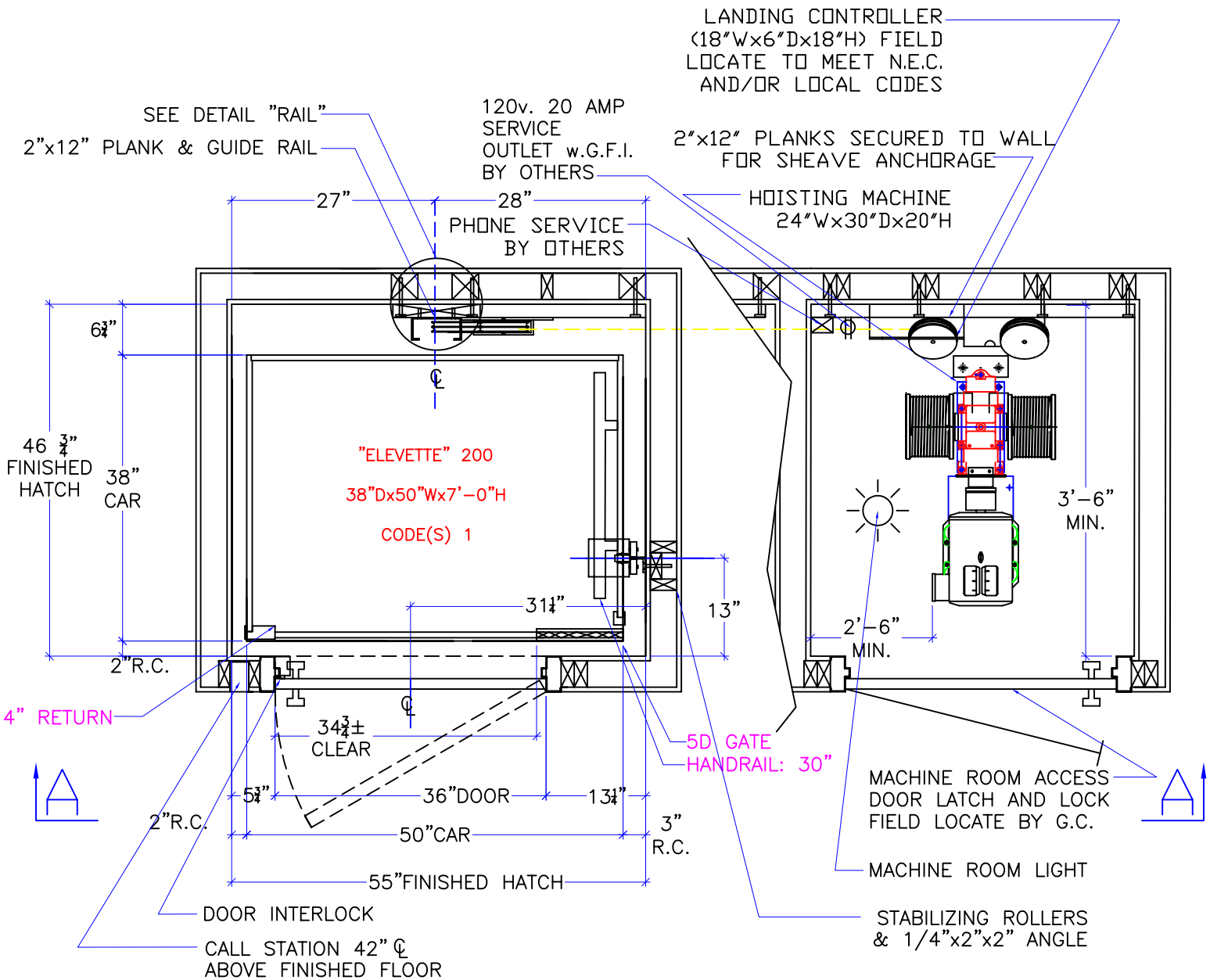
DWG. DATE
01/03/07

JOB OR APP.#
-

DEALER P.O.#
-

DWG. SCALE
1:24

REV. LEVEL(1-3)
-



NOTE:
 2" RUNNING CLEARANCE
 MUST BE REDUCED TO
 1/2" MIN./1 1/2" MAX.
 AT THE LANDING LEVELS.

NOTE:
 ALL HOISTWAY CONSTRUCTION MUST COMPLY WITH NATIONAL, STATE,
 AND LOCAL
 CODES. HOISTWAY MUST BE PLUMB AND STRAIGHT FROM TOP TO
 BOTTOM WITH NO PROJECTIONS INTO THE HOISTWAY.

NOTE:
 G.C. TO BUILD OUT HOISTWAY
 AS NEEDED TO MAINTAIN 3"
 REQUIRED FOR STABILIZER.

NOTICE TO ELECTRICAL CONTRACTOR:

- ALL ELECTRICAL WIRING MUST BE DONE BY A JOURNEYMAN MECHANIC AND MUST MEET ALL NATIONAL, STATE, AND LOCAL CODES.
- BRING (3) #10 W/GND FROM RESIDENCE INCOMING POWER PANEL 30AMP BREAKER(240V, NEUTRAL, GROUND)TO THE MACHINE ROOM.
- BRING (2) #12 W/GND FROM RESIDENCE INCOMING POWER PANEL 20AMP GFI BREAKER(120V, NEUTRAL, GROUND)TO THE MACHINE ROOM.
- REQUIRED LOW VOTAGE WIRING IS SUPPLIED BY MANUFACTURER. ALL EXTENSIONS ADDITIONS, ETC. SHALL BE DONE WITH THE SAME SIZE AND TYPE OF WIRE AS ORIGINALLY SUPPLIED BY THE MANUFACTURER.
- A TELEPHONE LINE SHALL BE SUPPLIED TO THE MACHINE ROOM AND SHALL BE CONNECTED TO A 24 HOUR CENTRAL EXCHANGE.
- ALL MEANS FOR ACCESS TO EQUIPMENT SHALL BE PROVIDED WITH A LOCK. ALL SHAFT DOORS MUST BE INTERLOCKED.

DWG VIEW

HOISTWAY LAYOUT

PART NUMBER

80205323

REV.DATE



DRAWING TITLE

WD-750# ADJACENT

DRAWING NO.

-

-

-

PAGE:
2/4

DRAWN BY:
D.LUCASSEN

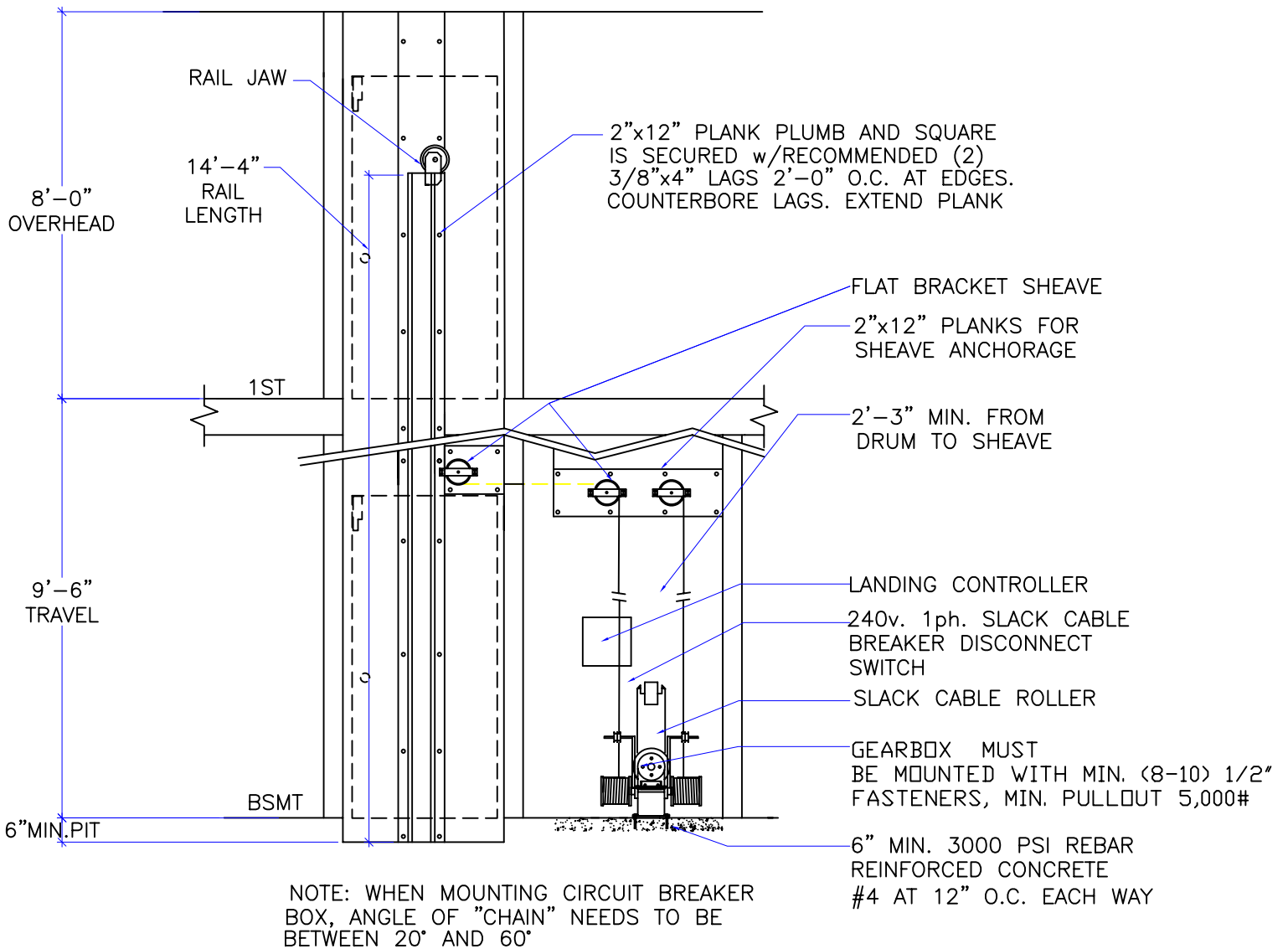
DWG. DATE
01/03/07

JOB OR APP.#
-

DEALER P.O.#
-

DWG. SCALE
1:24

REV.LEVEL(1-3)
-



DWG VIEW

SECTION A-A

PART NUMBER

80205323

REV. DATE

DRAWING TITLE

DRAWING NO.

WD-750# ADJACENT

INCLINATOR
COMPANY OF AMERICA
HARRISBURG, PA

PAGE:
3/4

DRAWN BY:
D.LUCASSEN

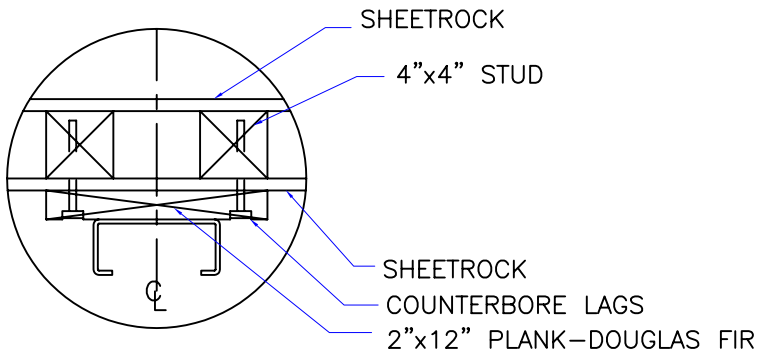
DWG. DATE
01/03/07

JOB OR APP.#
-

DEALER P.O.#
-

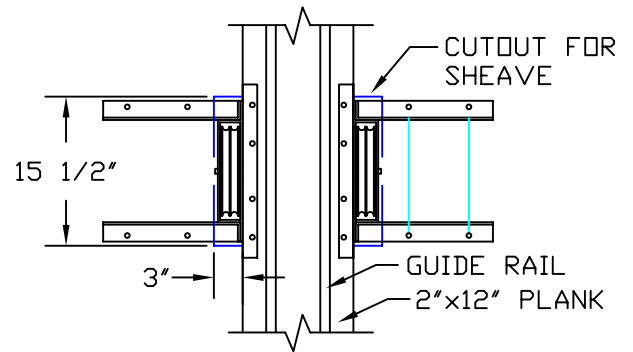
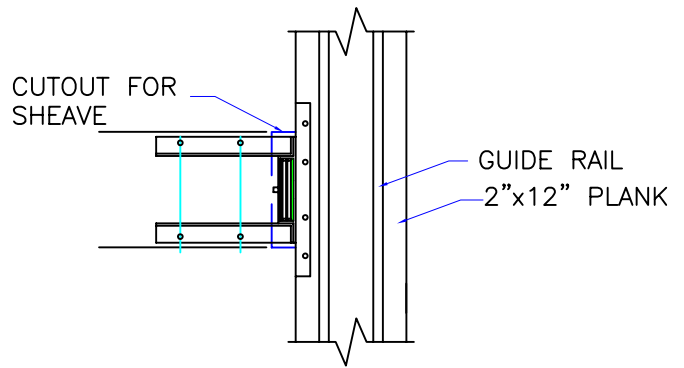
DWG. SCALE
1:24

REV. LEVEL(1-3)
-



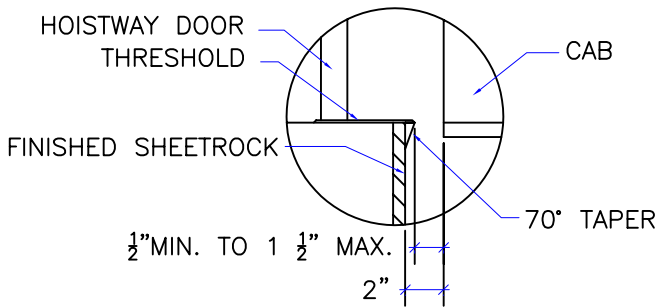
NOTE:
WHEN STUD AND SHEETROCK CONSTRUCTION IS USED ON THE GUIDE RAIL SUPPORT WALL 4"x4" STUDDING IS NEEDED BEHIND THE 2"x12" PLANK.

RAIL DETAIL



CUTOUT DETAIL

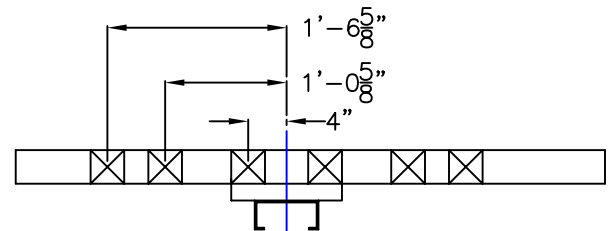
(SINGLE/ DOUBLE DRUM)
(IF APPLIES)



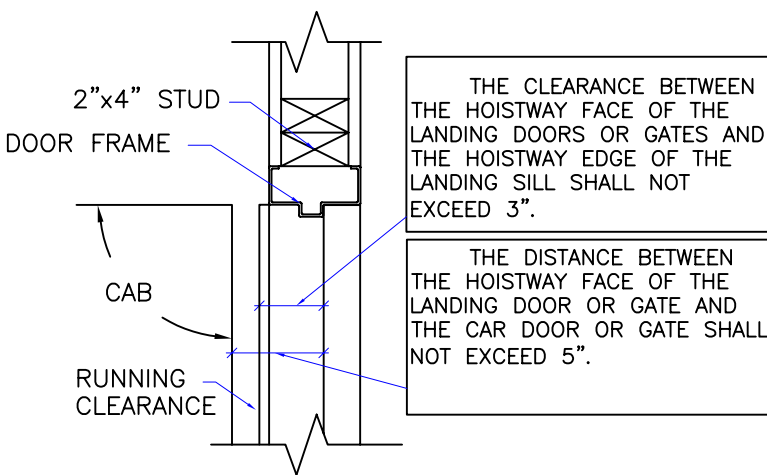
DOOR SILLS TO BE INSTALLED BY G.C. AFTER LIFT SUPPLIER HAS INSTALLED A RUNNING PLATFORM. SILL TO BE BROUGHT OUT TO NOT LESS THAN 1/2" AND NOT MORE THAN 1 1/2" TO THE RUNNING PLATFORM.

SILL DETAIL

MIRROR OPPOSITE SIDE



STUD LOCATIONS FOR THRU THE WALL SHEAVES
(IF APPLIES)



DOOR FRAME DETAIL

1. REACTIONS ON ALL SHEAVES AND MOUNTINGS
STATIC = 1,350 LBS.
IMPACT = 2,700 LBS.
2. FASTENING OF HOISTING MACHINE TO CONCRETE
1/2 X 3 HILTI BOLTS (OR EQUAL)
3. RAIL FASTENING TO 2"x12" PLANK
#14 x 1 3/4" TYPE A S.M.S. RAIL IS PRE-DRILLED AT FACTORY.
4. BOLT FASTENING OF CAR TO TROLLEY
1/2" - 13 x 4" SOCKET HD CAP SCREWS

TECHNICAL DATA

DWG VIEW
DETAILS, DATA, CODES

PART NUMBER
80205323

REV.DATE

INCLINATOR
COMPANY OF AMERICA
HARRISBURG, PA

DRAWING TITLE
WD-750# ADJACENT

DRAWING NO.

PAGE: 4/4	DRAWN BY: D.LUCASSEN	DWG. DATE 01/03/07	JOB OR APP.# -	DEALER P.O.# -	DWG. SCALE 1:24	REV.LEVEL(1-3) -
--------------	-------------------------	-----------------------	-------------------	-------------------	--------------------	---------------------